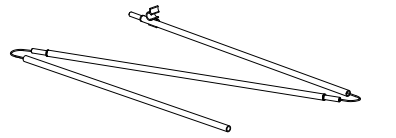
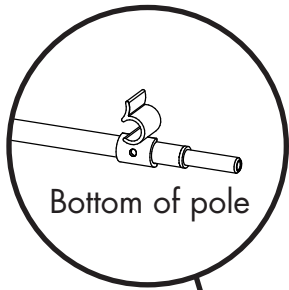


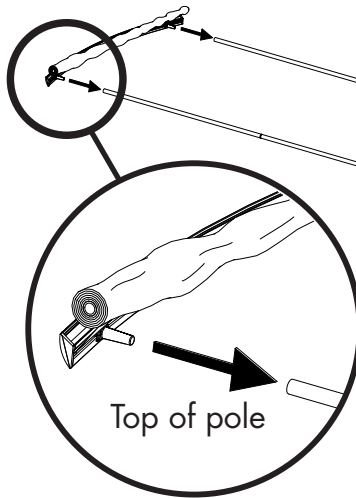
MYRIAD™ BANNER STAND BACKWALL



Assemble shock-corded poles

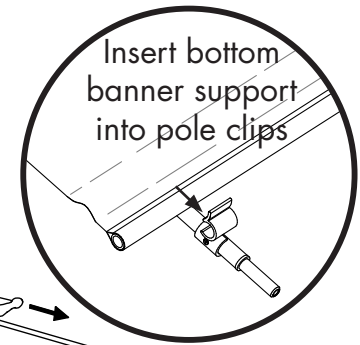


Bottom of pole



Install banner extrusion onto top of poles

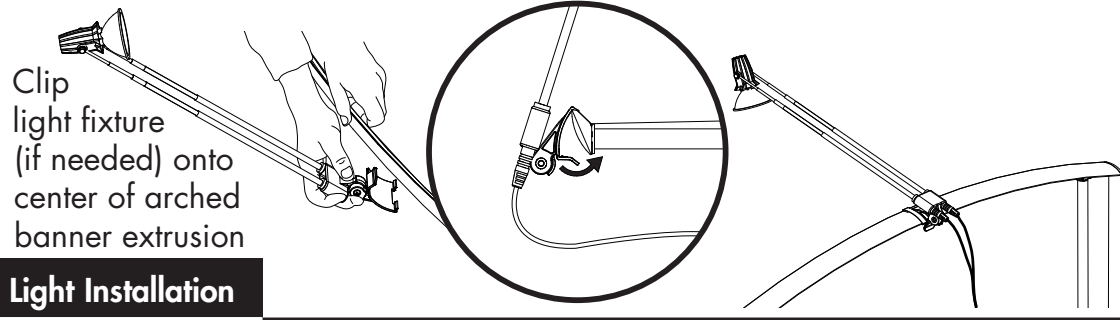
Top of pole



Insert bottom banner support into pole clips

Carefully roll banner down poles

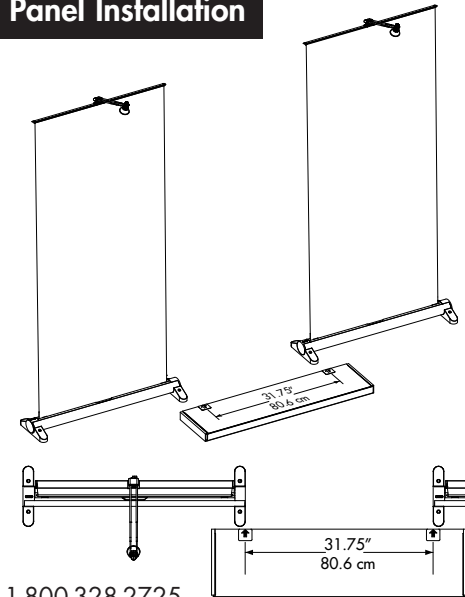
Panel Assembly



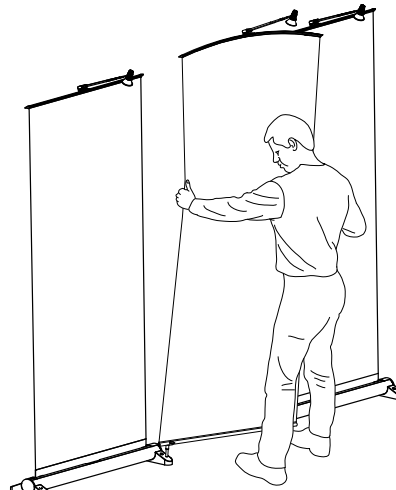
Clip light fixture (if needed) onto center of arched banner extrusion

Light Installation

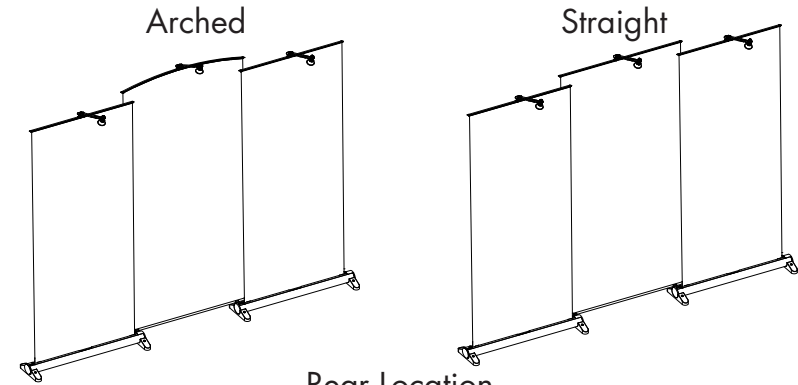
Panel Installation



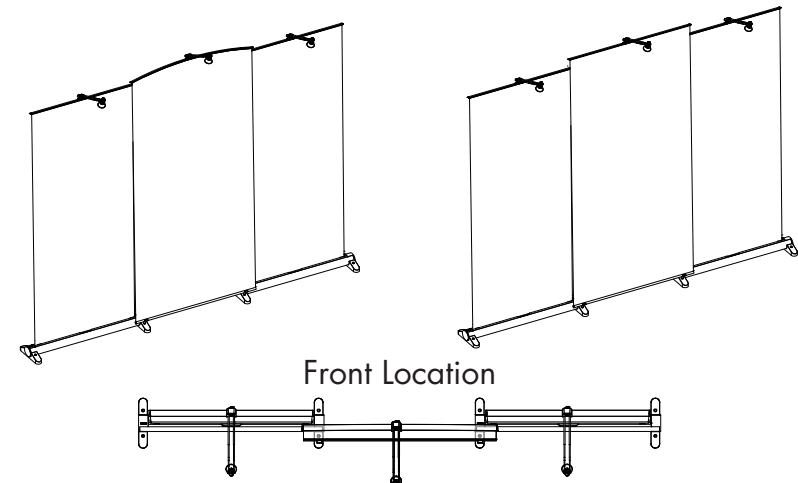
Use arrows on box lid to determine correct spacing for side units. From inside edges of feet, spacing should be 31.75"



Pick up center panel, holding poles, and fit ends of poles into holes in the feet of the side units at the desired location



Rear Location



Front Location