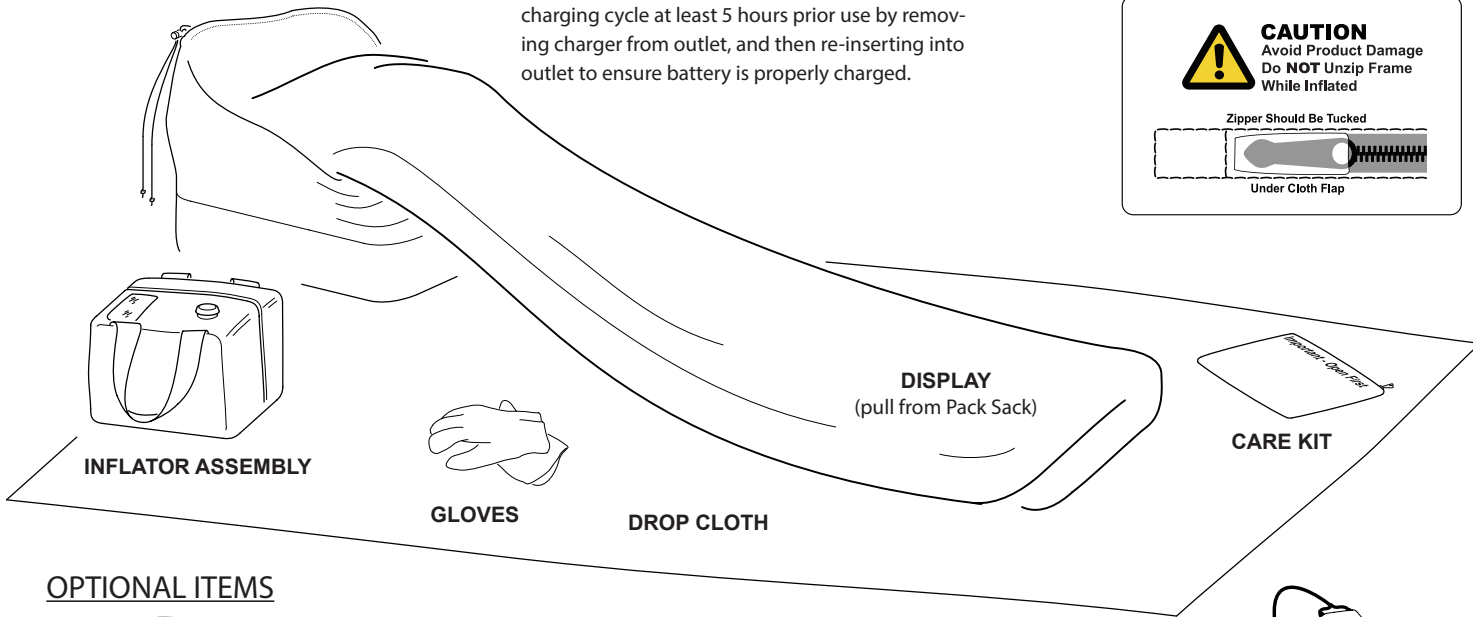
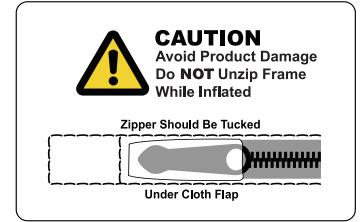
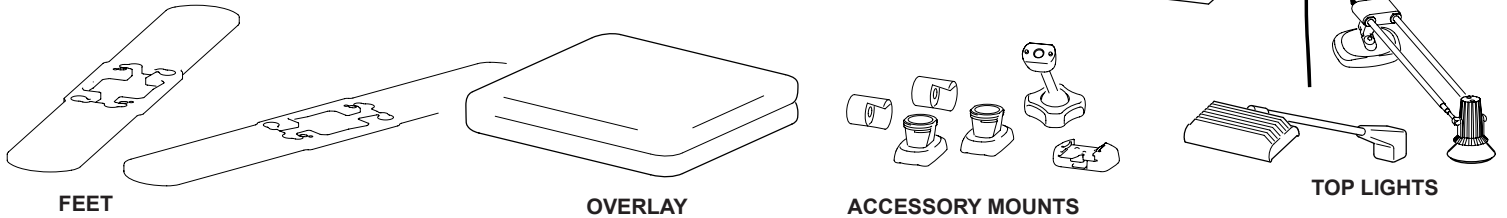


UNPACK

Important: Always store battery on charger when not in use. After long periods of storage, restart charging cycle at least 5 hours prior use by removing charger from outlet, and then re-inserting into outlet to ensure battery is properly charged.

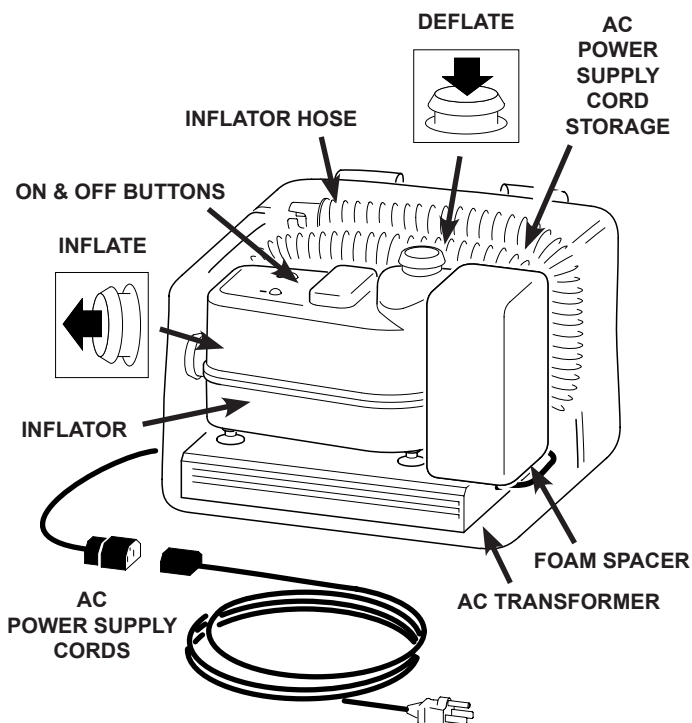


OPTIONAL ITEMS

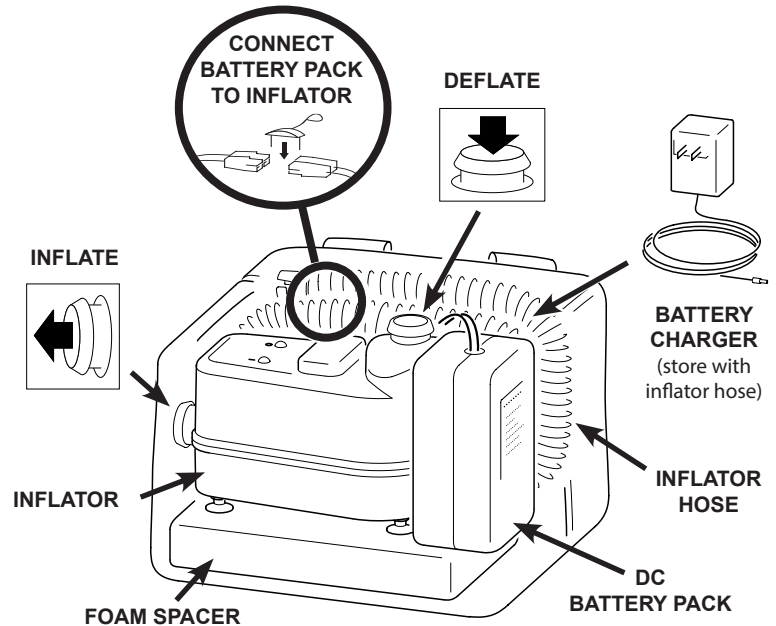


INFLATOR ASSEMBLIES (AC or DC Options)

AC INFLATOR PACK



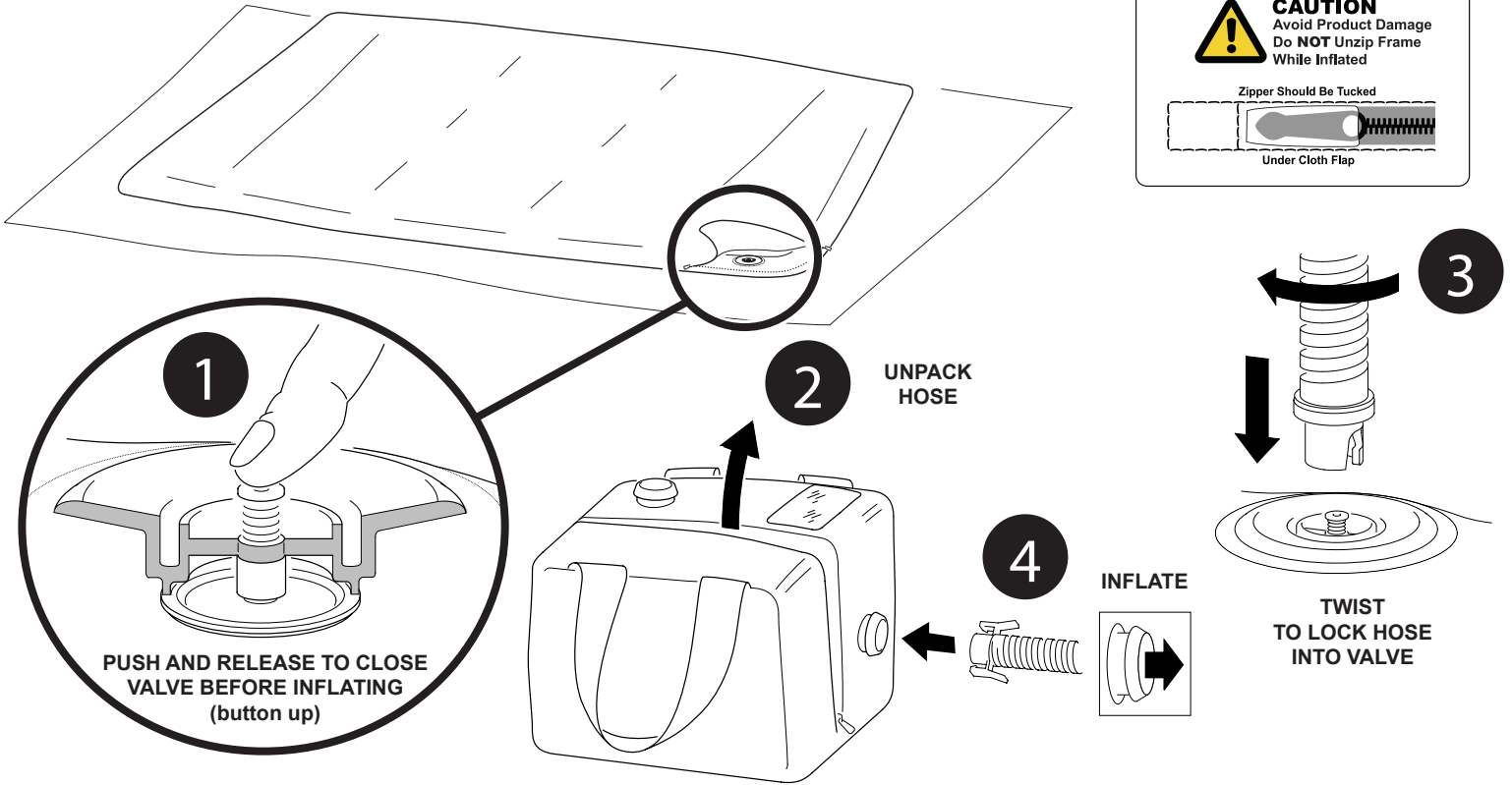
DC BATTERY INFLATOR PACK



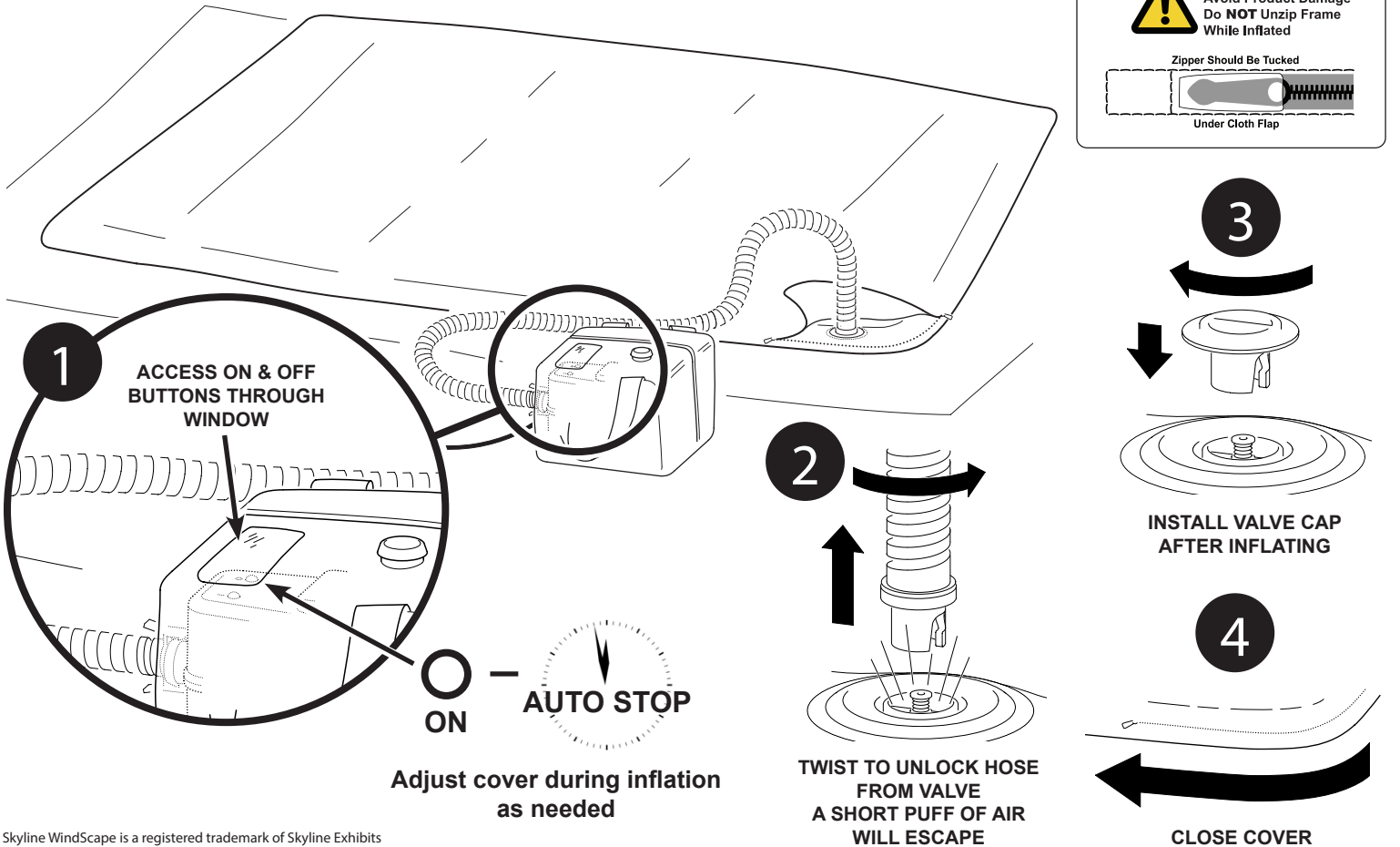
- Remove battery pack from case before charging
- Leave battery pack on charger during storage. Battery warranty will be null and void if battery is not stored properly.
- See charging instructions on battery pack

Skyline WindScape® Exhibit System

CONNECT INFLATOR TO FRAME



INFLATE FRAME



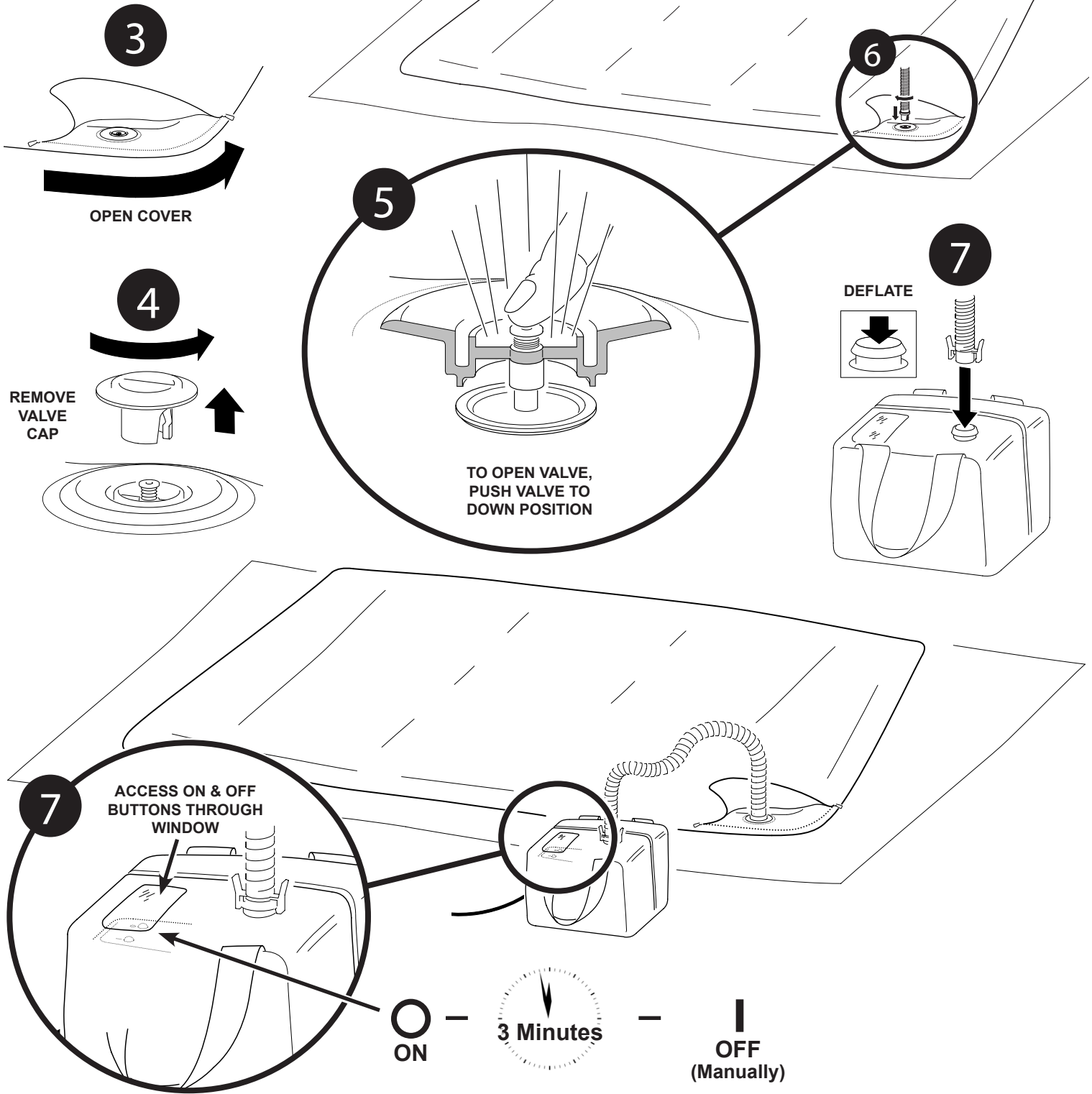

Skyline WindScape® Exhibit System

DEFLATE FRAME

- 1 Remove accessories and mounts.
- 2 Wear gloves to protect graphic cover. Lay display or overlay on drop cloth.

CAUTION
Avoid Product Damage
Do **NOT** Unzip Frame
While Inflated

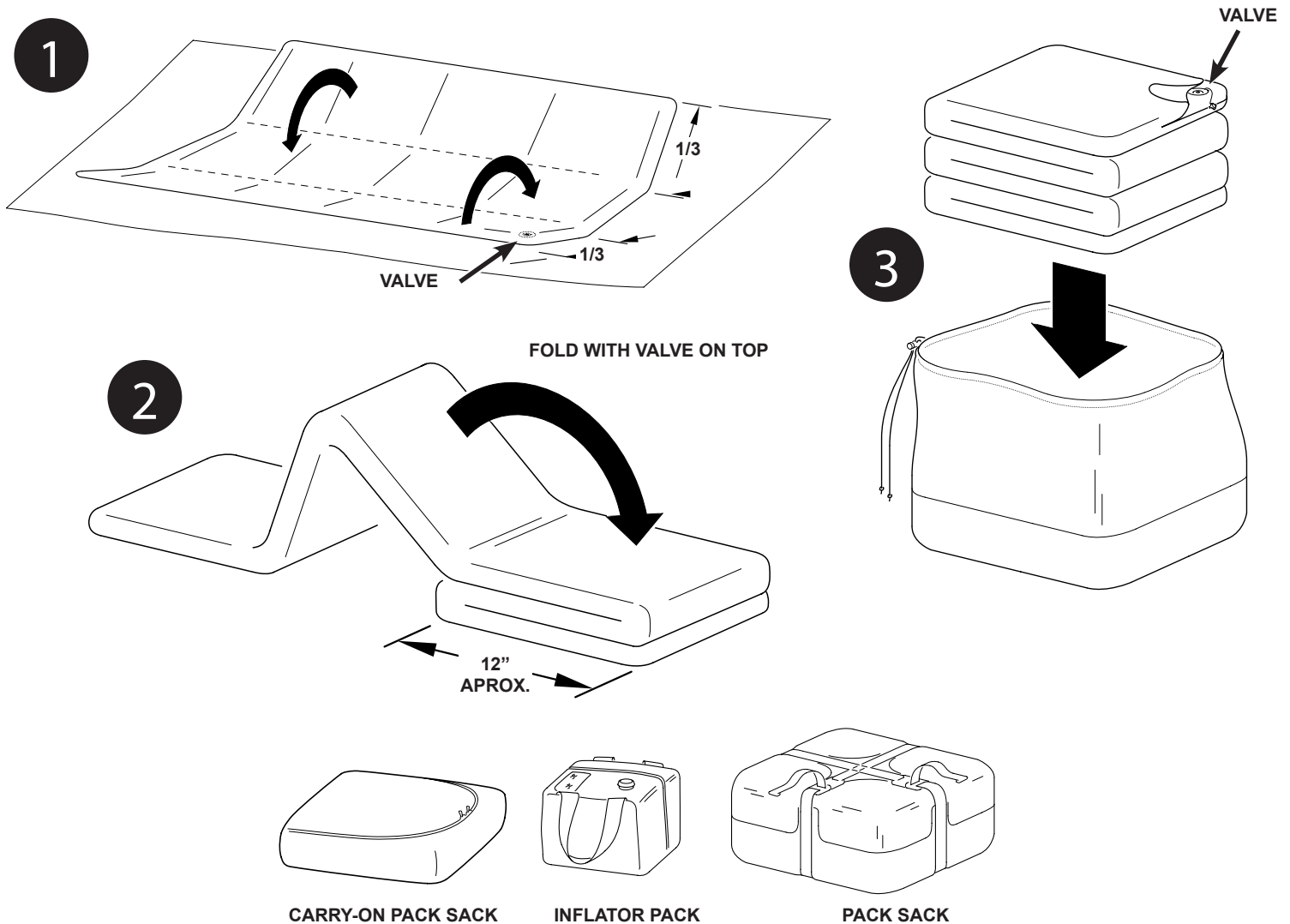
Zipper Should Be Tucked
Under Cloth Flap



Deflation time based on a 10 ft. shape

Skyline WindScape® Exhibit System

PACK



TIPS & TRICKS

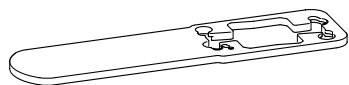
- Leave battery pack on charger during storage.
- Make sure DC battery pack is fully charged before use.
- Remove the DC battery pack from the case before charging.
- See charging instructions on battery pack
- A fully charged DC battery pack should inflate and deflate a 10 ft. shape at least 4 times.
- Disconnect DC battery pack from inflator after use and before airline transport.
- Make sure AC transformer is connected to inflator in case.
- Cover the inflator pack with packing case to reduce inflator noise during inflation or deflation.
- Adjust and straighten the graphic cover as necessary during inflation.
- Install feet and top lights before standing display upright.
- Stand display upright by lifting from behind the display. Grasp the display at the center vertical frame tube.

Skyline WindScape® Exhibit System

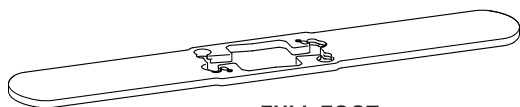
ACCESSORIES

FEET

LIFT
THE INFLATED DISPLAY
TO INSTALL FEET



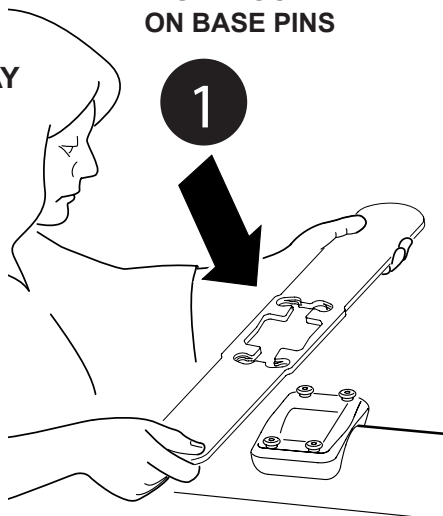
HALF FOOT



FULL FOOT

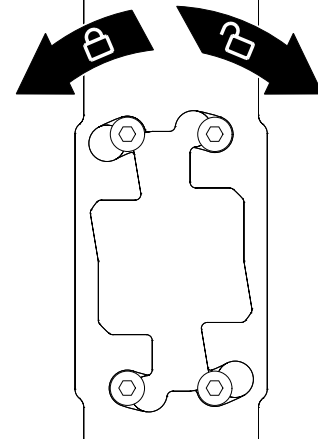
SET FOOT
ON BASE PINS

1



TWIST TO LOCK

2



3

Stand display upright by grasping the back of the display through the fabric at the center vertical frame tube.

- DO NOT force the foot onto the foot mount. Align the foot so it easily locks onto the foot mount.

4

ADJUST

Turn knob to adjust and straighten the display.

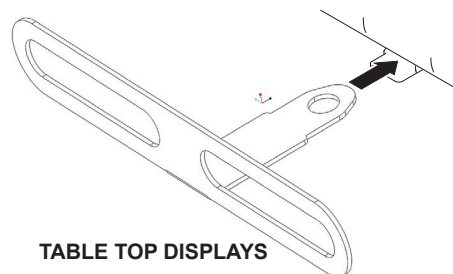
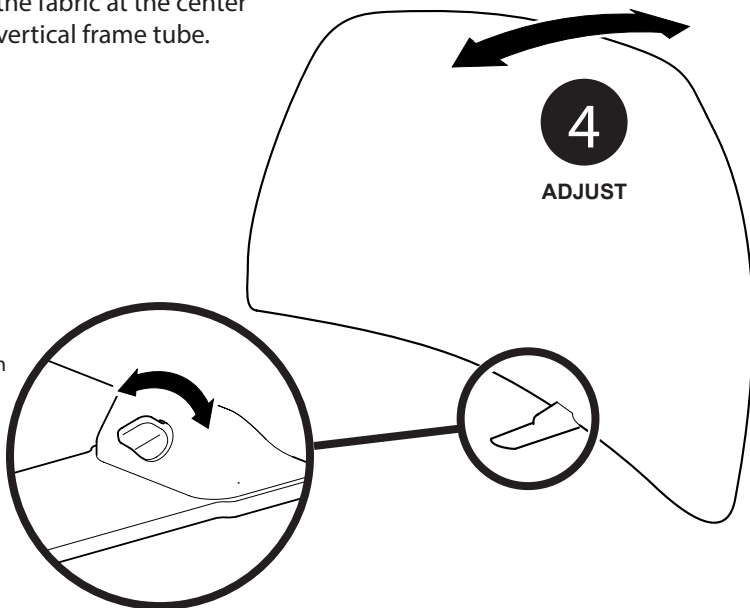
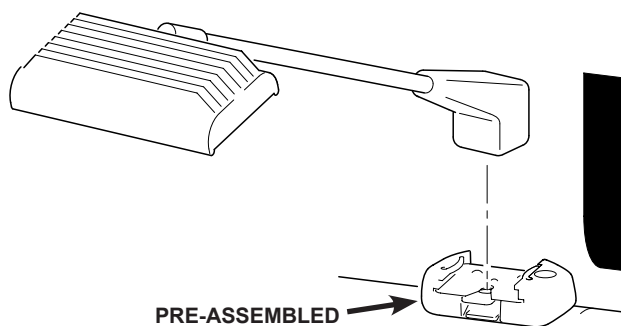


TABLE TOP DISPLAYS

TOP LIGHTS



PRE-ASSEMBLED
LIGHT MOUNT

FLOOR STANDING DISPLAYS

"CLICK"

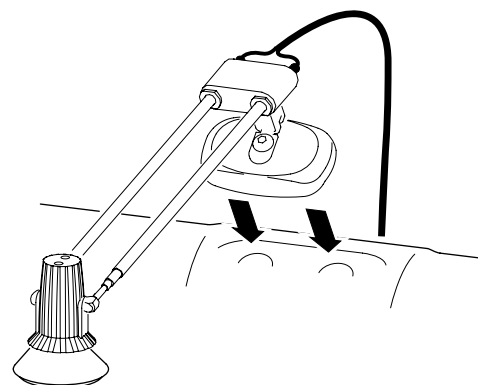


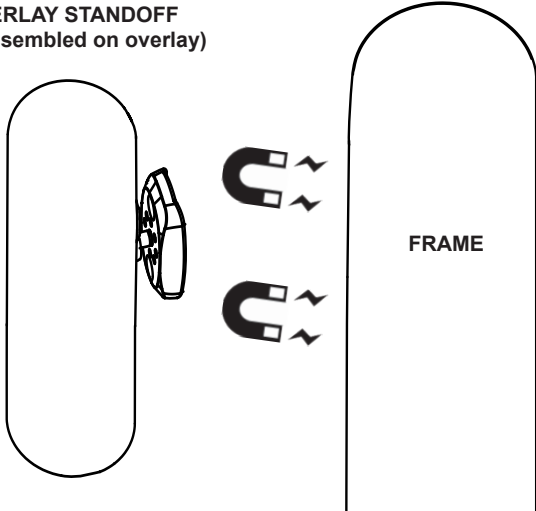
TABLE TOP DISPLAYS

Skyline WindScape® Exhibit System

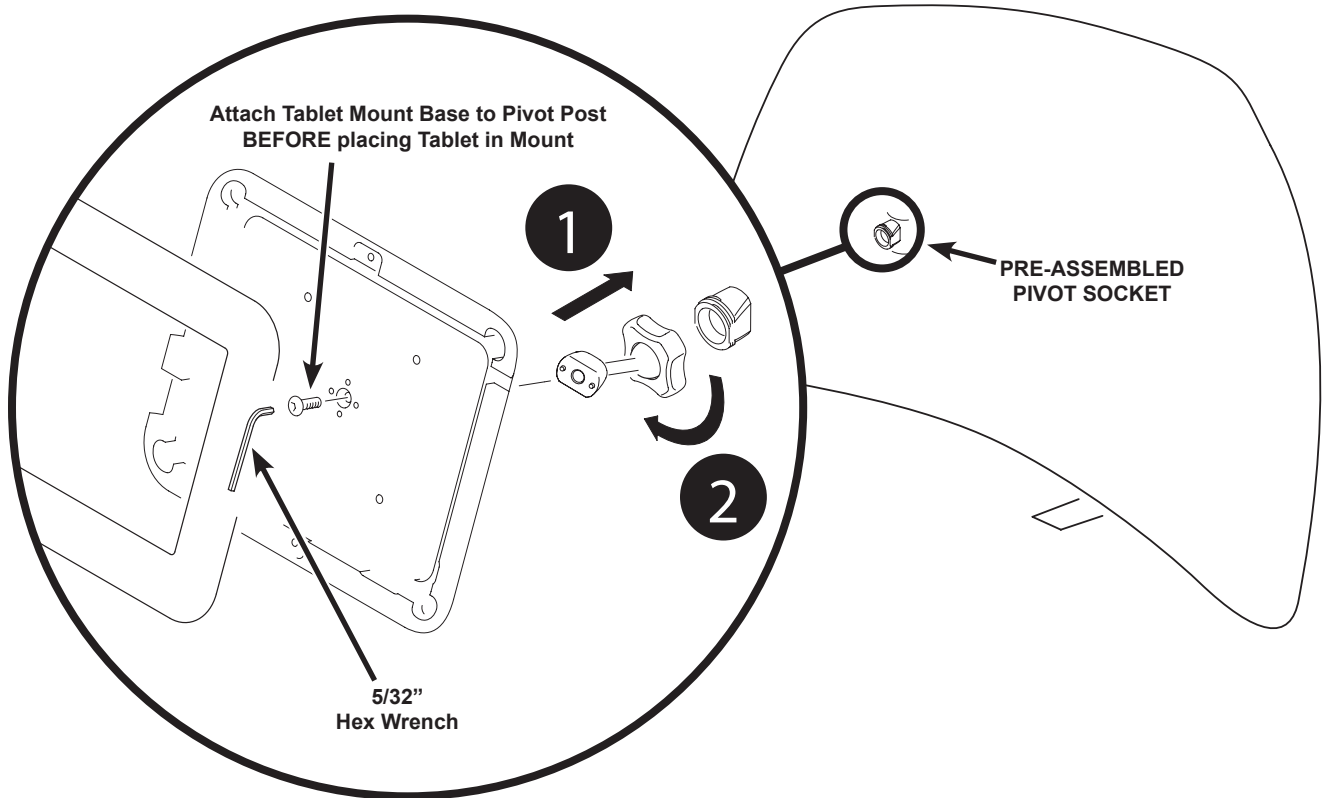
ACCESSORIES

OVERLAY MOUNTS

OVERLAY STANDOFF
(pre-assembled on overlay)



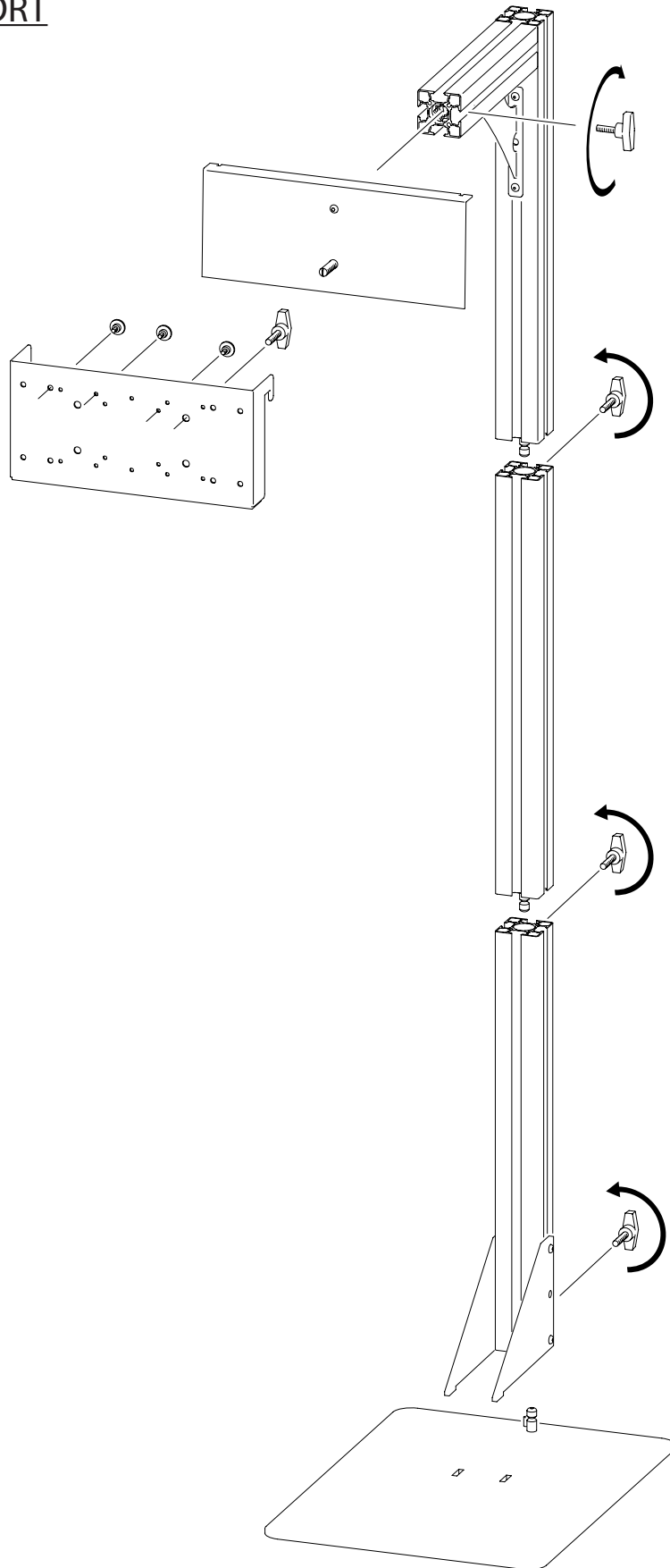
TABLET MOUNT PIVOT



Skyline WindScape® Exhibit System

ACCESSORIES

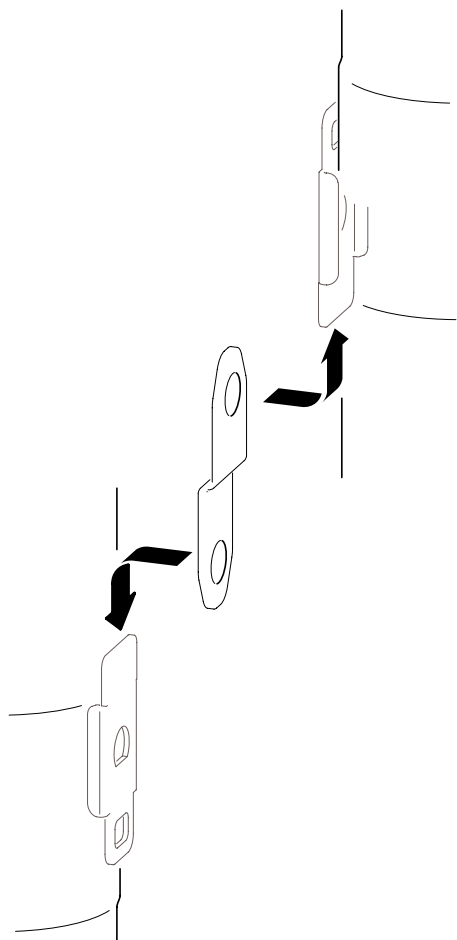
MONITOR SUPPORT



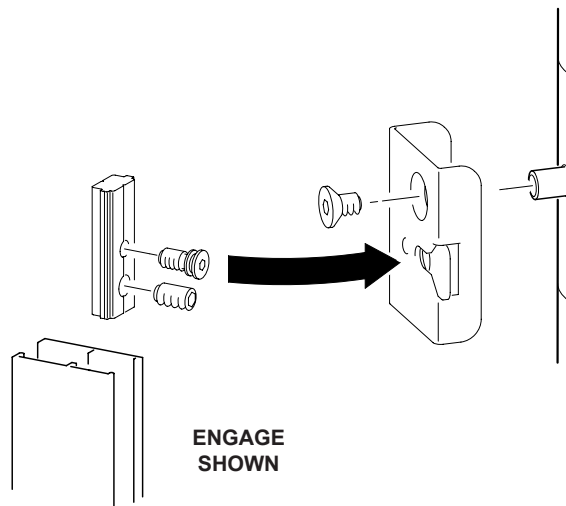
Skyline WindScape® Exhibit System

INTEGRATION PACKAGES

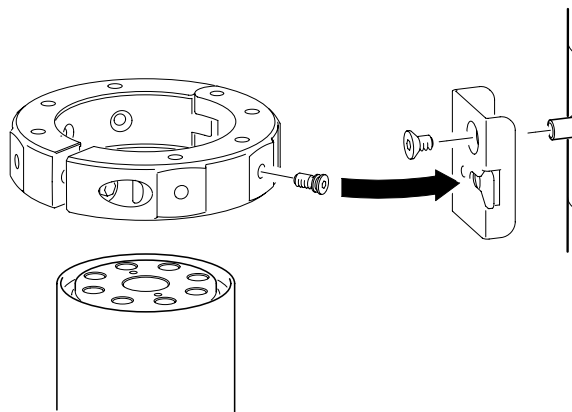
WINDSCAPE to WINDSCAPE



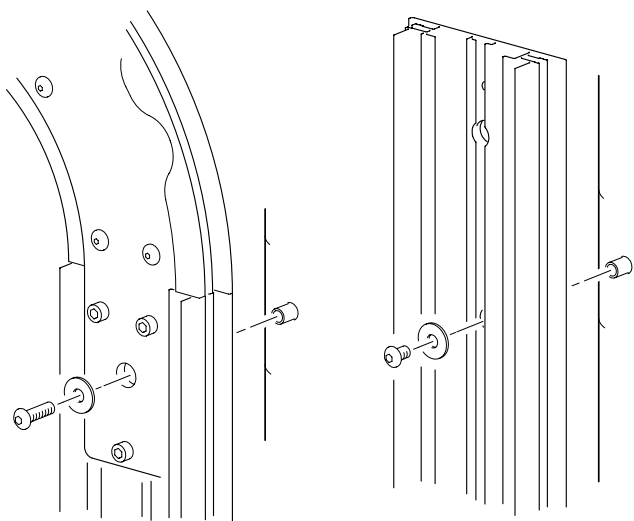
WINDSCAPE to ENGAGE, TUBE ULTRA & SLOTTED TUBE



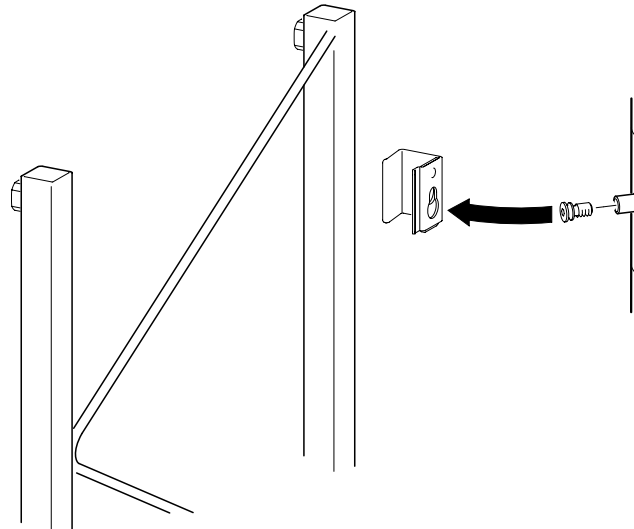
WINDSCAPE to TUBE



WINDSCAPE to ENVOY



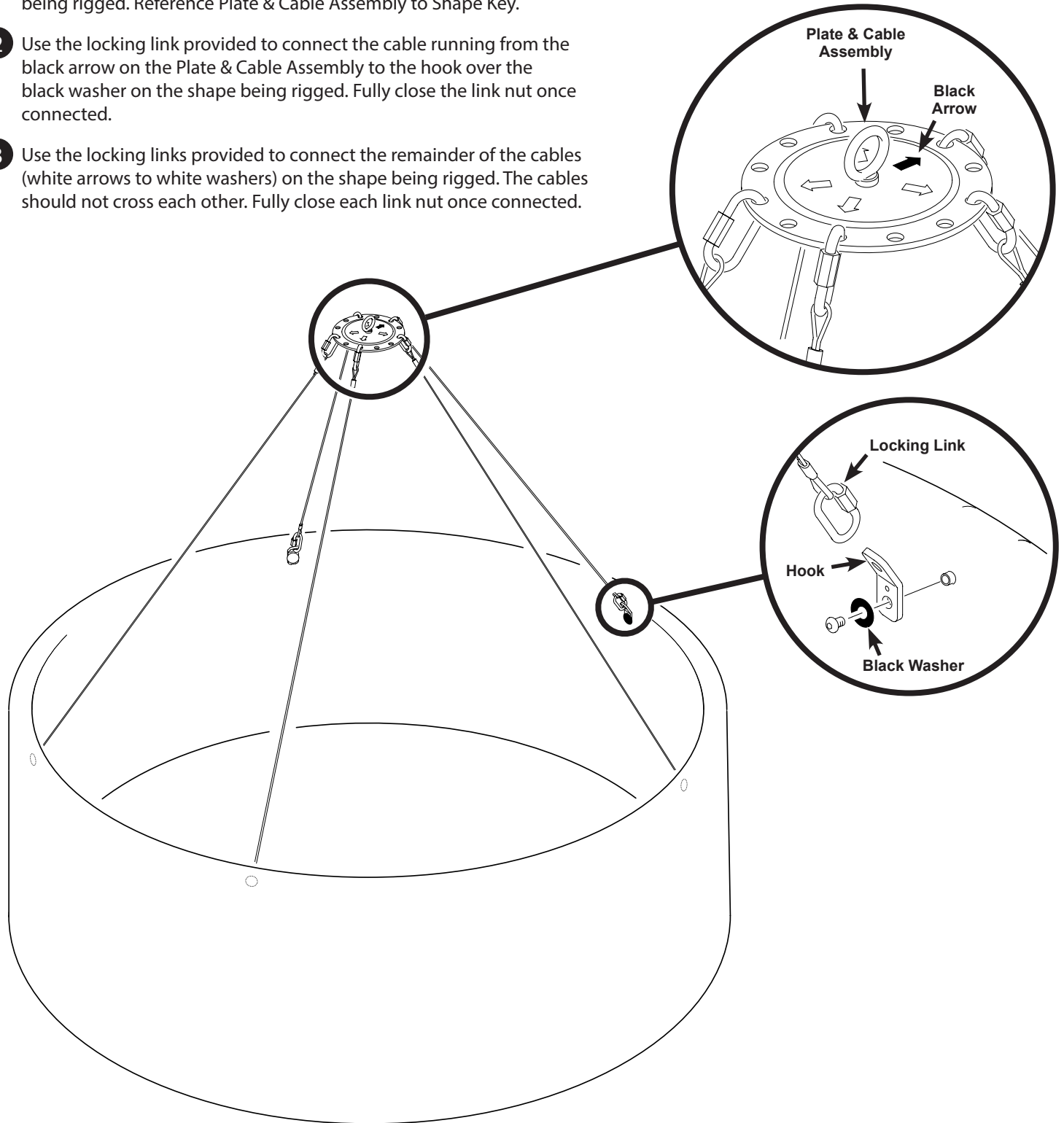
WINDSCAPE to TRUSS



Skyline WindScape® Exhibit System

RIGGING

- 1 Make sure the correct Plate & Cable Assembly is used for the shape being rigged. Reference Plate & Cable Assembly to Shape Key.
- 2 Use the locking link provided to connect the cable running from the black arrow on the Plate & Cable Assembly to the hook over the black washer on the shape being rigged. Fully close the link nut once connected.
- 3 Use the locking links provided to connect the remainder of the cables (white arrows to white washers) on the shape being rigged. The cables should not cross each other. Fully close each link nut once connected.



NOTE: Some shapes require a Plate & Cable Assembly with all equal length cables. Some shapes require a Plate & Cable Assembly with cables of varied lengths. To aid correct rigging, detach the cables at the shape during disassembly. DO NOT detach cables from the Plate & Cable Assembly.